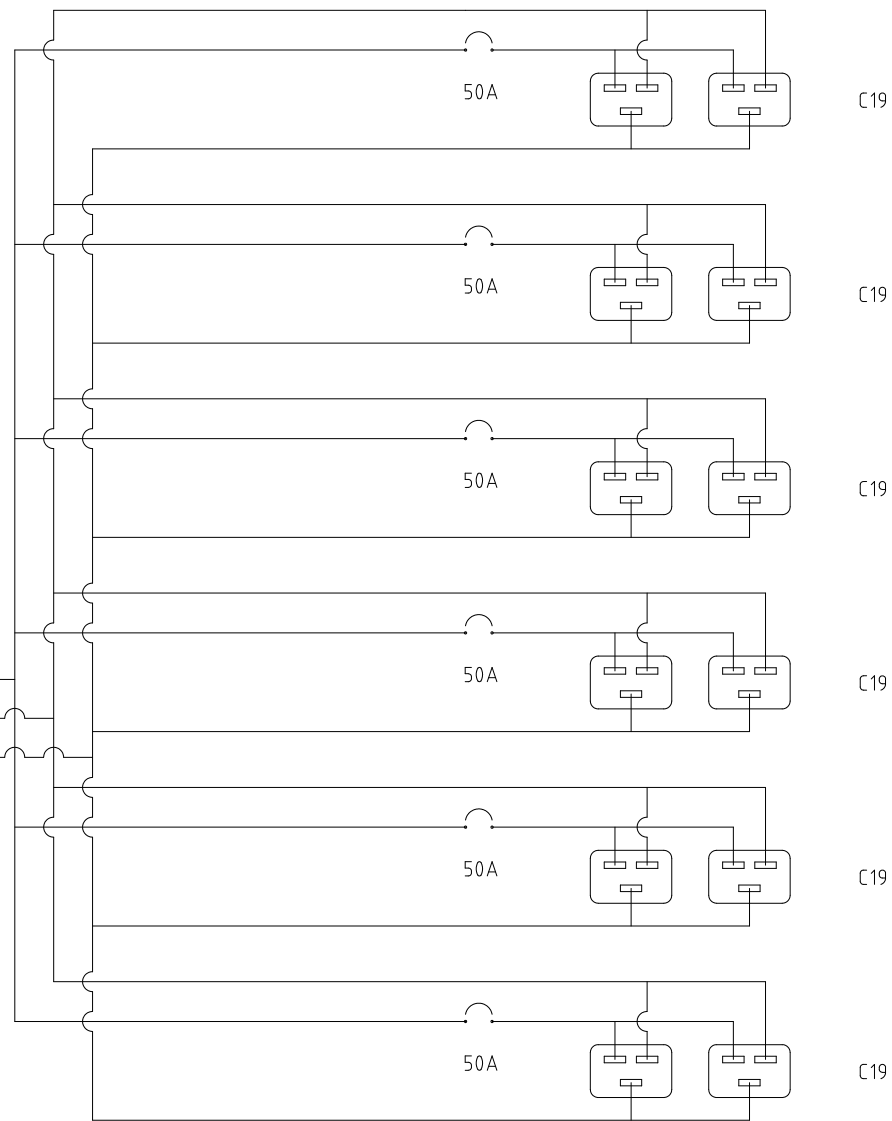
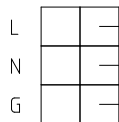


1 PHASE



Information herein is proprietary to Raptor Power Systems and cannot be reproduced in any manner without prior written consent.	RAPTOR POWER SYSTEMS		
	TITLE CRYPTO SLAYER 3.0 1P		
DRAWN BY J NORCROSS	DATE 04/08/21	DRWG NO RPS-PDU-xxxxxx-x	REV A
APPROVED BY	SCALE		SHEET 1/1